

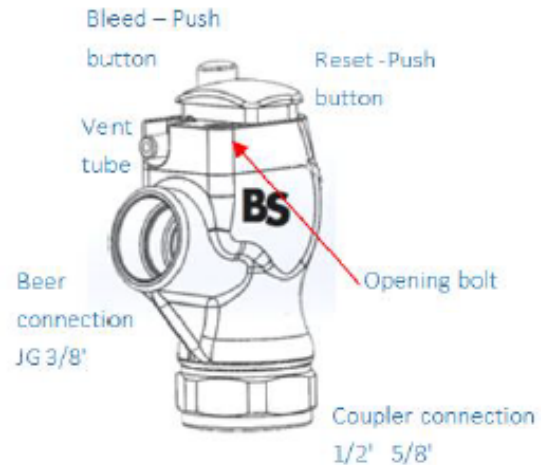
## OPERATION MANUAL

### Pre-Installation

Make sure you have the right size 1/2' or 5/8'

In order to avoid air bugs, it is highly recommended that the pipe leading out of the BS will not drop below the keg. This can cause premature shutdown.

When a keg is disconnected while not totally empty, a shutoff may occur which requires a restart.



### Installation Instructions

1. Disconnect coupler from the keg to release pressure
2. Disassemble the pipe fitting from the coupler
3. Install the device on top a coupler head
4. Push the beer pipe into the JG fitting or use the JG straight pipe 3/8 OD barb
5. Connect the coupler to the keg
6. Press the small push button to bleed the FOB [2 sec]
7. Press the big push button to reset the system [2 sec]

### Change Keg Instructions

1. Tap a new keg
2. Press the small push button to bleed the FOB [2 sec]
3. Press the big push button to reset the system [2 sec]

Up to 1/2 pint of foam on the long lines is OK

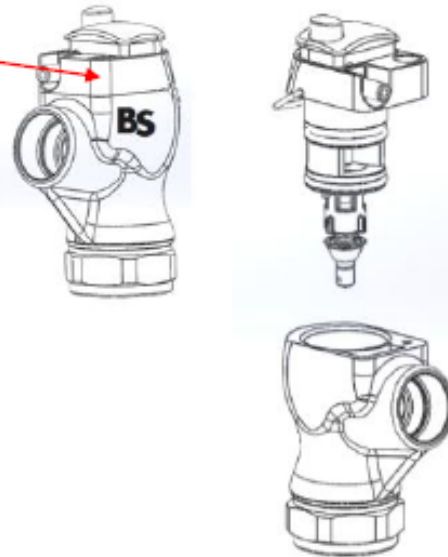
### Cleaning by Chemical Solution

1. Connect coupler & the FOB to the washout system
2. Run solution
3. Drain the FOB detector
4. Run water
5. Drain the FOB detector
6. Reconnect the coupler and the FOB to the beer lines system
7. Press the small push button to bleed the FOB of all left air
8. Press the big push button to reset the system

## Cleaning By dissembling

1. Using a screwdriver open the "opening BOLT"
2. Take the 2 parts a part, caution on losing parts
3. Run water jet or gentle brush thru sockets
4. Put the parts in cleaning solution for 5-10 min.
5. Close the FOB using a screwdriver

\*\* Not recommended - Chemical Solution give satisfying hygiene level



## Troubleshooting

### Premature shutoff

1. 'RESET' the BS by press the big push button.
2. If the problem persists after a keg change, a technician should replace the unit.

### Beer Leakage

1. Leaks between the BS and the Coupler:
  - I. Check that O ring is in place
  - II. Tighten the FOB to the coupler.
  - III. In rare case that leakage continues – technician should replace O-ring 15/2mm
  - IIII. Any other leak the unit should be replaced

## Warranty

Product is fully guaranteed against defects in both material and workmanship for a period of 1 year from date of sale.

Defective parts will be replaced on a no-charge return to base  
we are not responsible for parts damaged by unauthorized personal, service, accident or abuse.